


DISTRIBUTION CHAIN PARTICIPANT / IDENTIFICATION CHART

 PATRON Bohemia a.s. Českolipská 3419, Mělník, CZ (www.patron.eu)	Product identification label:
Manufacturer—product final inspection / name: Signature:	

Importer / EU-distributor : (name, address, contact info)	Importer / EU-distributor (stamp):
--	------------------------------------

Point of Sale / Service partner : (name, address, contact info)	Point of Sale / Service partner (stamp):
--	--

Date of sale (day, month, year): . . .	Name (block letters), phone number, stamp and signature of the seller:
---	--



INFORMATION FOR USE (en)

=> **medical device: rehab-stroller**

NÁVOD K POUŽITÍ (cs)

=> **zdrav. prostředek: kočárek zdravotní**

NÁVOD NA POUŽITIE (sk)

=> **zdrav. pomôcka: kočík zdravotný**

TOM 4
(ver. Classic / sizes: MINI, STD, MAXI, SM42)

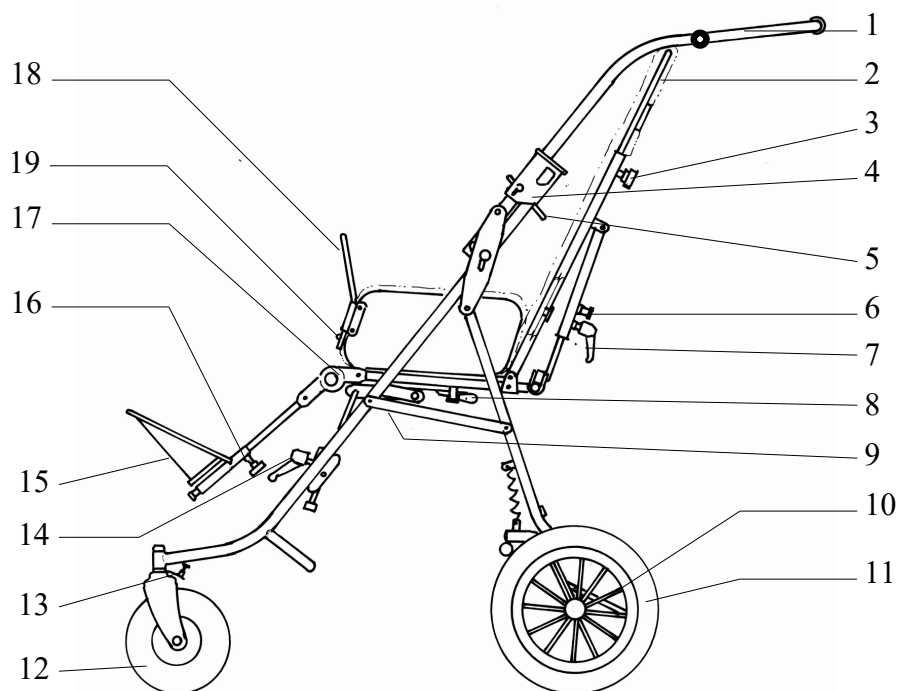


Manufacturing and Distribution:

PATRON Bohemia a.s.
 Českolipská 3419, 27601 Mělník, Česká Republika
 tel.: +420-315 630 111
 http:// www.patron.eu



SCHEMA

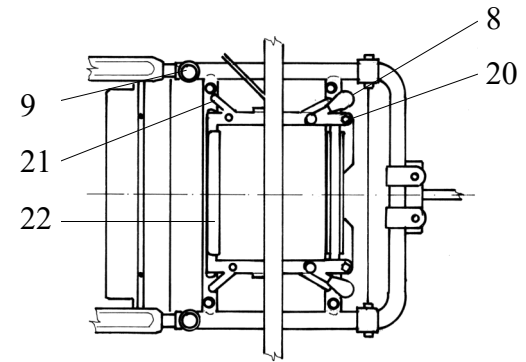


BASIC TECHNICAL DATA

	T4C MINI	T4C STD	T4C MAXI	T4C SM42
Backrest height (mm)	450-600	520-680	570-680	570-680
Seat depth (mm)	270-310	270-310	320-430	320-430
Seat width (mm)	260/300	240/280/340	280/320/380	425
Seat to footrest (mm)	140-280	200-350	240-400	240-400
Backrest angle	0°-175°	0°-175°	0°-165°	0°-160°
Seat-base angle	+/-27°	+/-27°	+/-25°	+/-25°
Total length (mm)	990	990	1070	1100
Total width (mm)	580	580	630	680
Total height / with handle (mm)	1010	1010	1060	1030
Total weight (kg)	17,0	18,0	20,5	24,0
Maximum load (kg)	35,0	35,0	50,0	75,0
Folded stroller length (mm)	930	930	960	960
Folded stroller width (mm)	580	580	630	680
Folded stroller height (mm)	550	550	630	660

SCHÉMA - POPIS:

- | | | | |
|-----|--|-----|-----------------------|
| 1. | Vodítko a kĺb vodítka | 18. | Poistka hrazdičky |
| 2. | Chrbtová opierka | 19. | Poistka zámku sedačky |
| 3. | Skrutka nastavenia výšky chrbtovej opierky | 20. | Úchyt sedačky |
| 4. | Uzáver vodítka | 21. | Predné úchyt sedačky |
| 5. | Poistka uzáveru vodítka | | |
| 6. | Poistka teleskopu chrbtovej opierky | | |
| 7. | Páčka teleskopu chrbtovej opierky | | |
| 8. | Zámok sedačky | | |
| 9. | Dkrutka nastavenie hĺbky sedačky | | |
| 10. | Brzdy | | |
| 11. | Zadné koleso | | |
| 12. | Predné koleso | | |
| 13. | Páčka teleskopu sedačky | | |
| 14. | Podnožka | | |
| 15. | Skrutka nastavenie pozície podnožky | | |
| 16. | Výškové nastavenie podnožky | | |
| 17. | Hrazdička | | |



INTRODUCTION:

Dear customers, read this document carefully before using this product for the first time. Follow all safety instructions stated in this document. If you have any questions about the product and its proper use, contact professional staff or a service centre. Report any serious adverse event related to the product, or any deterioration in the user's health in connection with the use of the product, immediately to the official distributor of the product in your country or to the manufacturer of the product. For latest safety and/or recall information for this product, as well as the product declaration of conformity, please contact the official distributor of the product in your country or the product manufacturer. Keep this document in a safe place for further reference.



..... **WARNING, CAUTION:**

- ① **CAUTION! Any load attached to the handle (bag, ...) affects the stability of the stroller!**
- ② **The side padded frame covers must be used properly all the time!**
- ③ **Recommended tire air-pressure: 180 kPa**
- ⑥ **Footrest velcro lock must be properly tightened while using stroller!**



.....**maximum load.**

WARNING! Keep fingers out of any moving parts when operating with the stroller.

WARNING! Never leave your child unattended! Even if the belts and brakes are in use.

WARNING! Check before use that all locking devices are properly locked and all safety equipments are properly used.

WARNING! Check before use that seat unit is properly locked in the chassis interface.

WARNING! The seat unit is not suitable for a child younger 6 months.

WARNING! This product must not be used while jogging or in-line skating.

WARNING! The seat unit must not be used in motor vehicles as the car seat.

ATTENTION! Read this manual carefully before the first use of the stroller, as well as keep it for further reference. Safety of a child might be in danger in case you will not follow the instructions and safety notices mentioned I the user guide.

PRODUCT - DESCRIPTION, FEATURES, IDENTIFICATION:

You have received a product that is determined for versatile everyday usage outdoor, as well as indoor at home. Before using the product for the first time, get to know carefully how to use it , how to handle with it, how works all the product features, to avoid any possibility of injury. In particular, observe the following instructions:

- All users and / or their accompanying persons must be trained by qualified personnel how to operate with the product. Users and / or their accompanying persons are obliged to read and learn in particular about the residual risks of this product, in connection with the safety instructions given in this document.
- The product has been adapted to the individual needs of the user. Additional changes may only be made by qualified personnel.
- We recommend that you check the product customization once a year to ensure optimal product setup for users.

- Kontrolujte pravidelne tlak v pneumatikách.
- Kodvozek, plasty a kolesá môžete umývať teplou vodou s prídavkom bežného saponátu.
- Poťah kočíka môžete čistiť handričkou namočenou v teplej vode, prípadne vyprať v rukách (max. 40°C).
- Nikdy kočík nečistite abrazívnymi čistiacimi prostriedkami, prostriedkami s prídavkom amoniaku, bieliadiel a liehových čistiadiel.
- V prípade, že bol kočík vo vlhkom prostredí, utrite ho savým materiálom a nechajte v teple usušiť.
- Kočík ukladajte na suchom a bezprašnom mieste pri doporučenej teplote 5-20°C.
- Pravidelne kontrolujte a doťahujte skrutkové spoje.
- Ak sa používajú ovládacie lanká (brzdy, teleskopy, naklápanie), pravidelne je kontrolujte a v prípade potreby nastavte a namažte.

Životnosť produktu: Predpokladaná prevádzková životnosť je 5 rokov. Predpokladaná prevádzková životnosť bola použitá ako základ pri vývoji produktu a definovanie požiadaviek týkajúcich sa použitia produktu na daný účel. Tieto dáta zahŕňajú aj požiadavky na údržbu, na zabezpečenie požadovanej účinnosti a bezpečnosti produktu. Pokyny pre likvidáciu: Za účelom likvidácie je nutné produkt likvidovať v súlade s predpismi na ochranu životného prostredia, platnými v danej krajine použitia produktu.

ZÁRUČNÉ PODMIENKY:

1. Na výrobok sa vzťahuje záruka 24 mesiacov od dňa predaje. Záruka sa vzťahuje na vady materiálu a výroby.
2. Výrobok musí byť riadne užívaný, ošetrovaný, udržiavaný a skladovaný podľa pokynov uvedených v návode k použitiu.
3. Pri uplatnení záruky musí byť predložený riadne vyplnený záručný list a kópia dokladu o zakúpení. Identifikačný štítok s výrobným číslom musí zostať čitateľný a nepoškodený. Pri nepredložení týchto dokladov a nesplnení týchto podmienok nie je možné, aby sa začala vybavovať reklamácia.
4. Záruka musí byť uplatnená v obchodnej organizácii, kde bol výrobok kúpený či v autorizovanej servisnej opravne.
5. Reklamačné riadenie možno zahájiť, pokiaľ je reklamovaný tovar zaslaný kompletne, dôkladne zabalené a zaistené proti poškodeniu. Majiteľ je povinný predložiť reklamovaný tovar riadne vyčistený a hygienicky nezávadný podľa obecných hygienických zásad. Majiteľ nemôže pri reklamacii požadovať, aby miesto neho bola prevedená základná údržba alebo čistenie vecí v priebehu reklamačného riadenia.
6. Každú vzniknutú závadu je nutné reklamovať či opraviť ihneď po jej zistení. Za závady vzniknuté neopravením pôvodných závad a ďalším v nesie zodpovednosť užívateľ.
7. Záruka stráca platnosť, ak závady boli spôsobené nedovoleným preťažovaním, nehodou, násilím alebo neodborným zásahom do výrobku či neodborným zachádzaním s ním.
8. Záruka sa nevzťahuje na súčiastky podliehajúce prirodzenému opotrebeniu, hlavne na opotrebenie, znečistenie a poškodenie poťahu, plastových dielov, opotrebenie brzd, opotrebenie dezénu kolies a na defekt pneumatiky. Záruka sa tiež nevzťahuje na ktorékoľvek časti výrobku mechanicky poškodené.
9. Záručnú dobu nemožno zamieňať s úžitnou dobou, t.j. dobou, počas ktorej pri správnom používaní a správnom ošetrovaní vrátane údržby možno tovar vzhľadom ku svojim vlastnostiam, danému účelu a rozdielnosti v konštrukcii riadne užívať.
10. Výrobok musí byť používaný výhradne k účelom, ku ktorým je určený a užívateľ sa musí riadiť pokynmi uvedenými v návode k použitiu. Za škody vzniknuté na výrobku z dôvodu neodborného zaobchádzania v rozpore s „Návodom na použitie“ výrobcu/distribútor nezodpovedá.

Výrobca, spoločnosti PATRON Bohemia a.s., si vyhradzuje právo na zmenu na výrobkoch.

Especially for users with changing anatomy (eg body dimensions and weight) it is recommended to adjust at least once every six months.

- Your specific product may differ from the variants shown here. In particular, not all optional accessories described in this document are mounted on your product.
- The manufacturer reserves the right to make technical changes to the design described in this manual.

Product features:

This product is classified as a non-invasive therapeutic device of class 1. The product is intended for short-term and long-term use. The product is controlled by an accompanying person and is used to transport children with the help of another person. The product is intended for use on a solid surface in interiors and exteriors.

The product is used by children with temporary or permanent limitation of the ability to walk, unable to walk or keep standing. The product is suitable for users whose anatomy (eg body dimensions and weight) allows the use of this product for the given purpose and whose skin is intact. The product must only be used in conjunction with the accessories specified in the order form.

The manufacturer of this product assumes no responsibility for combinations with medical devices and / or accessories from other manufacturers. Only product combinations evaluated in terms of their efficiency and safety are permitted. This product and accessory combination must be permitted and stated in the product combination agreement.


Indications: mild to severe or complete restriction of the user's movement.

Contraindications: Absolute contraindications are not known. Relative contraindications - lack of physical or mental preconditions, significant surface damage of surface tissue (eg skin, etc.).

Accompanying phenomenon: Exceptionally, the following accompanying phenomena may occur when using the product - pain in the neck muscles, pain in the muscles and joints, circulatory disorders, risk of pressure sores. In case of these accompanying phenomena or problems, contact your doctor or therapist.

Product identification:

Information on the product label:

GTIN	Global trade identification number. According to GS1-standard = UDI-DI – Unique Device Identifier - Device Identifier. .
SN	Serial number. According to GS1-standard = UDI-PI – Unique Device Identifier - Production Identifier.
REF	Producer identification – product version
Mod.:	Product version / text
Spec.:	Product version / colour version
	Producer - address

Date of production: Serial number (first 3 digit) includes production date. („253“ = 253.-months from 01.01.2000 = January 2021)

SAFETY AND PROTECTION:

- The attendant must be familiar with the instructions of this manual.
- Professional medical advice regarding the suitability of this product must be sought before use.
- Always make sure, before departure, the child is comfortable, and that clothes and rugs etc, are tucked in, so they do not fall in the wheels.
- The stroller MUST NOT be used as a seat for a child while traveling in motor vehicle or bus.
- Ensure that child is clear of moving parts before making adjustments, to avoid any injury.
- When angle-positioning and adjusting the seat and backrest act accordingly to avoid sudden uncontrolled movements.
- Change of the seat direction must be done without the occupant and with empty seat unit.
- Do not allow the child to climb unassisted into and out from the stroller.
- Always apply the parking brakes, when getting in and out the stroller.
- The stroller is not designed to be driven down the stairs.

- Ensure yourself that the fixing accessories, safety bar and other equipment is fitted and adjusted correctly.
- Do not stand on the footrest.
- The brakes must be engaged at all times when the stroller is not moving.
- Getting over the curb practice firstly with an empty stroller.
- The attendant must take precautions against the fire risk. In buildings, check the location of fire exits and ensure procedures are understood.
- Do not let children play with or hang on the stroller.
- During the drive keep full attention, to avoid any dangerous situation or collisions.
- Do not overload the stroller. Overloading of a chassis, seat, bag or basket causes reduction of stability of the stroller.
- Make the full attention, when manipulate with the stroller, not to injure the child or yourself.
- If it is possible, always use drive-up ramps or lift to overcome any access restrictions.
- Always lift the stroller in two persons.
- Never transport the stroller when you and/or assistance are not sure if you can transport the stroller with the child safely.
- When you drive the stroller on the road, follow the road traffic regulations.
- Do not use the stroller for any other purposes then it is designed for.
- The stroller is designed to carry only one child.
- Do not use any other than original PATRON accessories designed for this product.
- When the stroller is folded and unfolded, the user guide must be followed carefully, to avoid any damage on the construction what could affect the product stability.
- In case of apparent defect, which limits product's safe using (e.g. damage of chassis, part falls away or other optically visible defects, cracks etc.) it is necessary to stop using the product immediately and contact your local official distributor or service centre.
- Company PATRON does not bear any responsibility for the damages caused by using other than original PATRON accessories supplied by this company.
- Company PATRON does not bear any responsibility for the damages and accidents caused by inappropriate use of this product.

PREPARATION FOR USE, USE:

Opening the undercarriage:

Place folded undercarriage on wheels. To open the undercarriage stay between the rear wheels and hold tightly handle. Move handle up and backwards until the handle folding release is fully locked in its end position. To check the locking position, move upwards the handle. The undercarriage must not start folding. Care must be taken to avoid trapping fingers, when opening the undercarriage!

Fitting the seat in the driving direction:

Place the seat exactly into frame seat fittings. By pushing the seat down, rotate the right seat lock levers till it locks in position, repeat the action with the left seat lock lever. Finally check the seat locking by slight lifting of seat. Seat must not separate from the interface frame (see picture 1).

Fitting the seat against the driving direction:

Place the seat against the driving direction follow the same procedure like in previous chapter except of turning the seat 180° to be facing back to front.

Seat reclining adjustment:

Hold the seat tightly. Loose seat reclining adjustment and set the position of the seat. Tighten properly the adjustment to fix the position. Turn reclining adjustment handle vertically into the safest position by pulling and rotating.

Seat and footrest set depth adjustment:

To adjust the dimensions of the seat and the footrest set position, the seat must be without an occupant and empty. Loose both seat depth adjustments bolts as well as both adjusting nuts and footrest set depth adjusting bolt. Set the depth of the seat by pulling or pushing. Tighten properly all adjusting bolts and nuts.

Backrest height adjustment:

Loose and take off all the backrest height adjustment bolts. Set the height of the backrest by lifting or pressing down. Assemble and tighten properly all adjustment bolts.

Backrest reclining:

Hold the seat backrest firmly. Loose backrest reclining adjustment and set the position of backrest. Tighten the adjustment properly.

Positioning the angle of the guide:

Press the joint of handlebar on the both sides, adjust the handlebar to required position and release.

Footrest height adjustment:

Hold the footrest. Loose the footrest height adjusting bolts. Set the position of footrest and tighten properly both adjusting bolts. Turn adjusting bolts small handles into the safest position by pulling it and rotating.

Footrest set reclining:

Press both press buttons on footrest hinge simultaneously and adjust the angle position of footrest. Free both but-

kočička.

Prekonanie obrubníka a nízkych prekážok

dole - pevne držte vodičko kočička, choďte prednými kolesami kolmo na hranu obrubníku, malým tlakom na vodičko smerom nadol trochu nadlehčete predné kolesá kočička a opatrne nimi zídte z obrubníka. Malým tlakom na vodičko smerom nahor trochu nadlehčete zadné kolesá kočička a opatrne nimi zídte z obrubníka.

hore - choďte prednými kolesami kolmo k obrubníku, tlakom na vodičko smerom nadol a našliapnutím zadného rámu podvozku smerom nadol zdvihnite predné kolesá kočička do potrebnej výšky a choďte nimi na chodník. Tlakom na vodičko smerom nahor zdvihnite zadné kolesá kočička do potrebnej výšky a choďte nimi na chodník

Prenášanie kočička

- použite nájazdovou rampu alebo výt'ah vždy, keď je to možné

- ak musíte prekonať schody, musí kočik prenášať najmenej dve osoby

- nikdy neprenášajte kočik ak si Vy a Váš pomocník nie ste istí, že kočik aj s dieťaťom bezpečne prenesiete

- ak pri prenášaní kočička pocítite únavu, oddýchnite si

- pri prenášaní kočička nesmie mať dieťa ruky mimo kočička

- nikdy kočik nedvíhajte za hrazdičku ani za podnožku

zo schodov

pevne uchopte vodičko kočička, choďte prednými kolesami kočička kolmo k hornej hrane schodiska, Váš pomocník pevne uchopí podvozok kočička nad prednými kolesami, kočik spolu nadvíhnite, opatrne zneste kočik dole a postavte ho na všetky štyri kolesá. (Obr. 4)

do schodov

pevne uchopte vodičko kočička, choďte zadnými kolesami kočička kolmo k spodnému schodu schodiska, Váš pomocník pevne uchopí podvozok kočička pod uzávery vodička, kočik spolu nadvíhnite, opatrne vyneste kočik hore a postavte ho na všetky štyri kolesá. (obr. 5)

Skladanie kočička

nastavte podnožku do vodorovnej polohy, sklopte stúpačku, nastavte hrazdičku, sklopte chrbtovú opierku čo najviac k sedáku (pozn. odporúčame zložiť fixačné doplnky, aby bolo docielené čo najmenších rozmerov zloženého kočička), zatiahnite za uzávery vodička smerom nahor, odklopte poistku uzáveru vodička a sklopte vodičko k predným kolesám kočička. (Obr. 6, 7)

Odobratie sedačky z podvozku

uvoľnite postranné skrutky rámu sedadla a zložte sedačku z podvozku.

Skladanie podvozku

odoberte sedačku z podvozku, zatiahnite za uzávery vodička smerom nahor, odklopte poistku uzáveru vodička a sklopte vodičko k predným kolesám kočička. (Obr. 6, 7)

Poťah

Poťah kočička je odnímateľný.

Poťah chrbtovej opierky

prezlečte cez jej horný okraj a spodná časť poťahu prevlečte otvorom medzi chrbtovou opierkou a sedadlom a zaistite ho suchými zipsy na zadnej časti chrbtovej opierky.

Poťah sedátka a bočnic

navlečte na bočnice a upevnite pomocou suchých zipsov.

ÚDRŽBA, LIKVIDÁCIA PRODUKTU:

Pri dodržiavaní uvedených inštrukcií vám bude kočik slúžiť dlho, služby Vášho servisného strediska nebudete potrebovať.

- Pravidelne kontrolujte uzáver rukovátka, zaistenie hrazdičky, úchyty na kočiku, spoje, podnožku a poistku rukovátka, aby boli stále v dobrom a funkčnom stave. Brzdy, kolesá a poťah kočička sú opotrebitel'ne časti kočička, preto by mali byť vymenené vždy, keď to bude nutné.

- Kočik by mal byť každých 12 mesiacov skontrolovaný odborníkom.

- Odporúčame po 24 mesiacoch navštíviť servisné oddelenie.

- Kočik môže byť opravovaný len zamestnancami servisných stredísk výrobcu alebo odborníkmi touto firmou poverenými.

- K opravám môžu byť použité len originálne náhradné diely dodávané výrobcu.

- Rotačné a posuvné časti kočička pravidelne ošetrte mazadlami v spreji (napr. WD 40), minimálne každých šesť mesiacov. Nikdy nepoužívajte olej alebo vazelinu. Dbajte na to, aby ste nepoužili príliš veľké množstvo mazadla (spôsobiloby to zanesenie špiny medzi otáčajúcimi sa časťami). Zvyšné mazadlo utrite.

- Skladanie a rozkladanie kočička by malo byť vždy veľmi ľahké. Pokiaľ to nie je tak, prečítajte si zvonu príslušné odstavce v návode na použitie.

- Pre prekonanie prekážok použite nájazdovú rampu alebo výťah vždy, keď je to možné
- Kočík musia prenášať vždy najmenej dve osoby
- Kočík nie je určený k jazde po schodisku
- Kočík alebo vložené lôžko nikdy neprenášajte, pokiaľ si vy a váš pomocník nie ste istí, že ho s dieťaťom bezpečne prenesiete.
- Pri jazde s kočíkom dbajte na pravidlá bezpečnosti cestnej premávky
- Nepoužívajte kočík k iným účelom, než ku ktorým je určený
- Nepoužívajte kočík pre iný počet detí, než pre aký bol konštruovaný
- Nepoužívajte žiadne príslušenstvo, ktoré nie je dodávané či schválené výrobcom
- Pri častom skladaní a rozkladaní kočíka je treba starostlivo dodržiavať návod na použitie, predídete tým nestabilite stopy kočíka. Pri nedodržiavaní návodu na skladanie kočíka môže dôjsť k zakriveniu konštrukcie.
- V prípade viditeľnej závady brániacej bezpečnému používaniu výrobku (napr. poškodenie podvozku, odpadnutá časť či iné opticky viditeľné chyby, praskliny a pod.) je potrebné ihneď prestať používať výrobok a kontaktovať predajcu.
- Firma PATRON Bohemia a.s. nenesie zodpovednosť za škody spôsobené používaním iných doplnkov než dodávaných touto firmou
- Firma PATRON Bohemia a.s. nenesie zodpovednosť za škody a nehody spôsobené nesprávnou manipuláciou s kočíkom

PRÍPRAVA NA POUŽÍVANIE, POUŽÍVANIE:

Rozloženie podvozku

Položte zložený podvozok na kolesá, postavte sa medzi zadné kolesá kočíka, uchopte vodičko a zatiahnite smerom nahor dokiaľ uzáver vodička nezaskočí proti rúrke rámu podvozku. Tlakom na vodičko smerom nahor sa uistíte, že sú obaja uzávery vodička zaistené. (Podvozok už nejde zložiť.)

Nasadenie sedačky na podvozok v smere jazdy

uchopte sedačku, nasadíte jej na úchyt sedačky a obaja zámky zaistíte pootočením páčky zámku až začujete ich zacvaknutie. Uistite sa, že sedačka je pevne zaistená nadvihnutím sedačky. (Obr.1).

Nasadenie sedačky na podvozok proti smeru jazdy

nasadenie sedačky prebieha rovnakým spôsobom ako nasadenie sedačky na podvozok v smere jazdy, len sedačku obráťte.

Nastavenie náklonu sedačky

povoľte páčku teleskopu pre nastavenie náklonu sedačky, nastavte sedačku do požadovanej polohy a páčku zaistite.

Nastavenie hĺbky sedačky a podnožky

povoľte obe matice pre nastavenie hĺbky sedačky a skrutky pre nastavenie hĺbky podnožky, nastavte hĺbku sedačky aj podnožky a utiahnite matice a skrutky.

Výškové nastavenie chrbtovej opierky

uvoľnite skrutky rámečka chrbtovej opierky a matice chrbtovej opierky, nastavte výšku opierky zaistite ju skrutkami a maticami.

Uhlové nastavenie chrbtovej opierky

uvoľnite páčku chrbtového teleskopu, nastavte opierku do požadovanej polohy a zaistite páčku.

Polohovanie uhla vodička

Stlačte po oboch stranách kľb vodička, nastavte vodidlo do požadovanej polohy a uvoľnite.

Výškové nastavenie stupačky

uvoľnite skrutky zadnej časti stupačky, nastavte požadovanú výšku a utiahnite skrutky.

Uhlové nastavenie podnožky

stlačte tlačidlá postranných kľbov podnožky, nastavte podnožku do požadovanej polohy a uvoľnite tlačidlá.

Zabrzdenie kočíka

pre zabrzdenie kočíka zošliapnite zadnú spojenú brzdú. K odbrzdneniu kočíka brzdú nadvihnite. (Vid' Obr. 2)

Hrazdička

hrazdičku zasuňte do rúr na bočných častiach sedačky. Hrazdička je zaistená pérovou poistkou. Stlačte pérovou poistku a ťahom smerom nahor vyberte hrazdičku.

Nasadenie do kočíka

uistite sa, že je kočík zabrzdený; k uľahčeniu nasadenie je vhodné posunúť podnožku čo najviac pod kočík a sklopiť stúpačku (obr. 3); ak je to nutné, opríte kočík vodičkom o stenu alebo požiadajte dôveryhodnú osobu, aby kočík podržala; opatrne posadte dieťa do kočíka, zapnite všetky fixačné doplnky, ktorými je Váš kočík vybavený, pripevnite hrazdičku a upravte podnožku do potrebnej polohy. Dbajte na to, aby dieťa vždy sedelo pohodlne.

Vysadenie z kočíka

uistite sa, že je kočík zabrzdený; k uľahčeniu vysadenie je vhodné posunúť podnožku čo najviac pod kočík a sklopiť stúpačku; ak je to nutné, opríte kočík vodičkom o stenu alebo požiadajte dôveryhodnú osobu, aby kočík podržala; rozopnite všetky fixačné doplnky, ktorými je Váš kočík vybavený, zložte hrazdičku a opatrne vyberte dieťa z

tons and set the position of footrest to allow the hinges to be locked.

Operating the Parking Brake:

To brake the wheels press fully the brake connecting rod. To disengage the parking brake lift fully the brake connecting rod. (see enclosed picture 2).

Safety Bar:

To fit the safety bar put both ends of safety bar in seat side tubes at once. To take out the safety bar, press press-pin release and lift the safety bar up.

Getting into the stroller:

Ensure the parking brake is on, to easy getting into the stroller adjust footrest position as far under the seat as it is possible and fold the footrest base (see enclosed picture 2); if possible, place the back of the stroller against a wall or immovable object (alternatively, another helper may hold the stroller steady); place child carefully into the stroller, fasten all immobilisation accessories and the safety bar, adjust the footrest into comfortable position. The child must always feel comfortable in the stroller.

Getting out of the stroller:

Ensure the parking brake is on; to easy getting out of the stroller adjust footrest position as far under the seat as it is possible and fold the footrest (see enclosed picture 2.) ; if possible, place the back of the stroller against a wall or immovable object (alternatively, another helper may hold the stroller steady); unfasten all immobilisation accessories and the safety bar and lift the child carefully.

Getting over the curb stones and low obstacles:

Down - take the front wheels to the edge of the kerb, hold the handles firmly and tip the stroller backwards and balance on the rear wheels, take the rear wheels to the edge of the kerb, lower the stroller down the kerb on its rear wheels. Never tip the stroller forward at a kerb.

Up - take the front wheels to the kerb. With a firm grip on the handles, tip the stroller backwards and place the front wheels on top of the kerb. Position the rear wheels at the kerb bottom and lift to the upper level.

Manual transport of the stroller:

- make use of ramps and lifts when they are available

- if there is no alternative and steps should not be avoided at least one trustful assisting person must be available to give assistance

- do not attempt to take the stroller up or down a flight of steps unless you and your helper are sure you have control of the stroller and can take the weight of its occupant

- during this operation, the attendant and helper must be well balanced and have secure grip on the stroller

- the attendants hands must be inside the handle straps at all time

- take rests in regular intervals

- do not lift the stroller with safety bar or footrest

going down steps - position the stroller squarely with the front wheels on the top step, tilt the handle backward and push the stroller forward until the rear wheels are at the top step; the helper stands in front, steadies and lowers the stroller by gripping the front frame; take the weight and lower the rear wheels down the step, continue step by step to the bottom. (see picture 3)

going up steps - position the stroller squarely with the rear wheels against the bottom step, tilt the stroller backward and raise to the next step; the helper stands in front, steadies and lifts the stroller by gripping the front frame; continue step by step to the top. (see picture 4)

Folding the stroller:

Set the position of footrest horizontally, fold the footrest plate and take off the safety bar. Pull backrest as far as possible forward towards the seat base. (We recommend to take out the exceeding fixing accessories, to decrease the size of folded stroller) Lift the handle folding release movable part, lift the handle release safety clip and fold the handle forward towards the front wheels. (see picture 5, 6). By folding parking brake must be released!

Taking off the seat:

To disassemble the seat, loosen both seat-locks and lift the seat. The seat must be without an occupant and empty.

Folding the undercarriage:

Prior folding the undercarriage, take off the seat. Lift the handle folding release movable part, lift the handle release safety clip and fold the handle forward towards the front wheels.

(see picture 5, 6). By folding parking brake must be released!

Seat upholstery attaching:

Seat upholstery is fully detachable and washable by lower temperature (max. 40°C).

Backrest cover - put on the cover top part over the upper edge of backrest, cover bottom end slip into the gap between the backrest and seat base. Secure the lower end of fabric by velcro (dry zipper at the back of the backrest).

Seat base cover - put on the sides one by one, precise the cover position and fix by dry zipper by pushing into the middle of the seat base.

MAINTENANCE, PRODUCT DISPOSAL:

The stroller has been designed to the high standard and with correct usage and maintenance will provide many years of trouble free service.

- make sure that you are familiar with the operation of the stroller. It should always open and fold easily. If it does not, do not force the mechanism - stop and read the instructions
- regularly inspect handle folding release, safety bar fittings, locking devices, catches, footrest, joints fixings and handle release safety clip to ensure they are secure, clean and in full working order
- brakes, wheels, tyres and upholstery are subjects to wear and should be replaced if necessary by a service centre.
- If you have inflatable tires on the stroller, check its inflation regularly. Allowed tire unevenness on the perimeter of tire is +/- 2 mm
- if the stroller is damaged or in need of any repair, only authorised service centres are allowed to provided this services.
- only spare parts supplied by company PATRON has to be used for repairs.
- should parts of your stroller become stiff or difficult to operate, ensure that dirt is not the cause, apply a light application of a spray lubricant e. g. WD 40 (do not use oil or grease). Ensure that the lubricant penetrates between the components but do not overspray as this may encourage the accumulation of dirt. Wipe off any spray excess. Regular lubrication of moving parts will extend the life of your stroller and make opening and folding easier.
- it is recommend to use rain cover when it rains (it is not standard equipment of the strollers)
- do not expose the stroller to the long-acting intensive solar radiation
- textile components of stroller and/or accessory must be used and stored in the way that the transparent plastic parts are not folded or turned tightly. Those can be damaged if the temperature is 5°C below zero.
- wheels, plastic and metal parts may be sponged clean with warm water and mild detergent.
- the seat fabric must be hand washed only at maximum temperature of 40°C, do not use laundry dryer.
- never clean with abrasive, ammonia based, bleaches and alcohol based cleaning compounds.
- after exposure to damp conditions, dry the product off with a soft cloth and leave fully open in warm and dry environment.
- store your stroller in a dry, safe place with recommended temperature 5-20°C.
- it is recommended that the stroller is checked by an approved service centre every 12 month
- We recommend that after 24 months visit a service department.
- Check and tighten the screw connections regularly.
- If there are used control cables (brakes, telescopes, tilt), check it regularly and, if necessary, set up and oil them.

Product lifetime: The expected product lifetime is 5 years. The expected product lifetime was used as a basis for product development and the definition of requirements for the use of the product for the given purpose. This data also includes maintenance requirements to ensure the required efficiency and safety of the product.

Disposal instructions: For disposal, the product must be disposed of in accordance with the local valid environmental protection regulations in the country, where the product was used.

WARRANTY CONDITIONS:

1. On this product is applied 24 months warranty from the date of sale. The warranty is applied for material and manufacturing defects.
2. The product has to be used entirely for the purpose it is designed for and the instructions in the user guide must be followed.
3. The product has to be properly used, maintained, cleaned and stored in accordance to the user guide instructions.
4. Do not pull down the identification tag. It has to be readable and undamaged for the whole warranty period.
5. The warranty case has to be claimed by the seller, where the product was bought. Properly filled "Warranty sheet" and the proof of purchase must be declared by the warranty application. Every defect should be claimed immediately
6. The claim procedure can be started when the device is delivered complete, in original packaging, carefully packed and secured against damage. The owner is committed to deliver the device clean in accordance to the general hygienic measures. The basic maintenance and cleaning cannot be expected or even required when claimed.
7. The warranty does not cover: failures caused by the overloading of the products, accident, forced damage, unauthorized changes made on the product and/or its accessories, natural wear and tear of parts, especially upholstery dirt and damage, wear of plastic parts, brakes, tyre profile and tyre puncture, etc.
8. The warranty is terminated whenever the following conditions arise: the user fails to follow the instruction mentioned in this user guide and manufacturer's storage and maintenance suggested procedures, or whenever

Funkcie produktu:

Tento produkt je klasifikovaný ako neinvazívny terapeutický prostriedok triedy 1. Produkt je určený na krátkodobé aj dlhodobé použitie. Produkt je ovládaný sprievodnou osobou a slúži na prepravu detí za pomoci inej osoby. Produkt je určený pre použitie na pevnom podklade v interiéroch a exteriéroch.

Produkt slúži deťom s dočasným alebo trvalým obmedzením schopnosti chôdza, neschopným chôdza, či prostého stoja. Produkt je vhodný pre užívateľov, ktorých anatómie (napr. Telesné rozmery a hmotnosť) pripúšťa použitie tohto produktu na daný účel a ktorých koža je neporušená. Produkt je nutné používať výhradne v spojení s príslušenstvom, ktoré je uvedené v objednávacom liste.

Za kombinácia so zdravotníckymi prostriedkami a / alebo príslušenstvom od iných výrobcov, nepreberá výrobca tohto produktu žiadnu zodpovednosť. Povolené sú iba produktové kombinácie hodnotené z hľadiska ich účinnosti a bezpečnosti, ktoré sú výhradne povolené kombinovať na základe dohody o kombináciu.





Indikácie: ľahká až závažná alebo úplná obmedzenie pohybu užívateľa.

Kontraindikácie: Absolútne kontraindikácie nie sú známe. Relatívna kontraindikácie - chýbajúce fyzické alebo psychické predpoklady, výrazné plošné porušenie povrchového tkaniva (napr. Koža, a i.).

Sprievodné javy: Pri používaní produktu sa môžu výnimočne vyskytnúť nasledujúce sprievodné javy - bolesť krčného svalstva, svalov a kĺbov, poruchy prekrvenia, riziko dekubitov. V prípade týchto sprievodných javov, či ťažkostí kontaktujte ošetrujúceho lekára alebo terapeuta.

Identifikácia produktu:

Informácie na typovom štítku:

	Globálne číslo obch. položky. Podľa normy GS1 = UDI-DI – Unikátna identifikácia pomôcky - identifikátor pomôcky.
	Sériové číslo. Podľa normy GS1 = UDI-PI – Unikátna identifikácia pomôcky – identifikátor výroby.
	Kód výrobcu pro variantu produktu
Mod.:	Variant produktu / text
Spec.:	Variant produktu / farebné prevedenie
	Informácie o výrobcovi/adresa

Dátum výroby: Sériové číslo (prvé 3 číslice) obsahujú dátum výroby. ("253" = 253. mesiac od 01.01.2000 = január 2021)

BEZPEČNOSŤ A OCHRANA

- Doprovodná osoba musí byť oboznámená s inštrukciami uvedenými v návode.
- Kočík môže byť používaný len na doporučenie lekára.
- Pred jazdou skontrolujte, či dieťa sedí pohodlne a či sa jeho oblečenie alebo iná textilá nemôže dostať do kontaktu s kolesami kočíka.
- Kočík nesmie byť používaný ako sedačka pre jazdu vo vozidle alebo autobuse.
- Zaisťte, aby se dieťa pri nastavovaní kočíka nedostalo do styku s pohybujúcimi časťami a nezranilo sa.
- Pri nastavovaní sklonu zádovej opierky treba postupovať tak, aby nedošlo k náhlemu sklopeniu opierky.
- Smer jazdy sedačky môže byť zmenený len keď dieťa nesedí v kočíku.
- Nedovoľte dieťaťu, aby nastupovalo alebo vystupovalo z kočíka bez pomoci doprovodnej osoby.
- Kočík musí byť zabrzdzený vždy pri nastupovaní alebo vystupovaní z kočíka.
- Kočík musí byť zabrzdzený vždy, keď nie je v pohybe.
- Vždy sa uistite, či sú všetky fixačné doplnky, bezpečnostná hrazdička a ostatné príslušenstvo riadne pripevnené a zaistené.
- Nestúpajte na stupačku.
- Prekonávanie obrubníku najskôr vyskúšajte s prázdny kočíkom
- Doprovodná osoba si musí byť vedomá nebezpečia požiaru; v budovách sa informujte o umiestnení núdzového východu a o evakuačnom pláne budovy
- Nenechajte dieťa, aby sa hralo s kočíkom, mohlo by dôjsť ku zraneniu
- Jazde s kočíkom vždy venujte dostatočnú pozornosť, aby ste sa vyvarovali nehôd, ktoré by sa pri prípadnej nepozornosti mohli prihodit
- Nepreťažujte kočík, pri pretážení lôžka, sedačky, tašky, alebo koša kočíku by mohlo dôjsť k narušeniu stability kočíku
- Pri manipulácii s kočíkom dávajte pozor, aby ste nezranili seba alebo dieťa

(Návod na použitie - dátum poslednej revízie: 10.05.2021)

ÚVOD:

Vážení zákazníci, pred prvým použitím tohto produktu si pozorne prečítajte tento dokument. Dodržujte všetky bezpečnostné pokyny uvedené v tomto dokumente. Ak budete mať nejaké otázky ohľadom produktu a jeho správneho použitia, obráťte sa na odborný personál, či servisné stredisko. Každú závažnú nežiaducu príhodu v súvislosti s produktom, či prípadné zhoršenie zdravotného stavu užívateľa v súvislosti s užívaním produktu, bezodkladne ohláste oficiálnemu distribútorovi produktu vo vašej krajine, či výrobcovia produktu. Pre informácie ohľadne bezpečnosti a zvlávacích akciách pre tento produkt, rovnako ako produktovej vyhlásenie o zhode, prosím kontaktujte oficiálneho distribútora produktu vo vašej krajine, či výrobcovia produktu. Tento dokument si starostlivo uschovajte pre následnú referenciu.



..... VAROVANIE, UPOZORNĚNIE:

- ① **UPOZORNĚNIE! Akýkoľvek zavesený predmet na rukovátku (taška,...) ovplyvňuje stabilitu kočíka!**
- ② **Vždy používajte bočné chrániče rámu riadne pripevnené!**
- ③ **Doporučený tlak v pneumatikách: 180 kPa**
- ⑥ **Vždy používajte suchý zips zaist'ujúci stupačky riadne pripevnený.**



.....maximálna nosnosť výrobku.

UPOZORNENIE! Pri nastavovaní kočíka držte prsty mimo pohybujúcej sa časti mechanizmu

UPOZORNĚNIE! Nechať dieťa bez dozoru môže byť nebezpečné

UPOZORNĚNIE! Pred použitím sa presvedčte či sú všetky zaist'ovacie zariadenia zapojené

UPOZORNĚNIE! Škontrolujte, či pripevňovacie zariadenie sedačky je pred použitím riadne pripojené

UPOZORNĚNIE! Sedačka nie je vhodná pre dieťa mladšie ako 6 mesiacov

UPOZORNENIE! Tento výrobok nie je vhodný na behanie a jazdu na korčuliach

POZOR! Pred použitím si pozorne prečítajte návod na použitie a odložte ho na neskoršie nahliadnutie. Bezpečnosť dieťaťa môže byť ohrozená, pokiaľ nebudete postupovať podľa návodu.

PRODUKT – POPIS, FUNKCIE, IDENTIFIKÁCIA:

Dostali ste výrobok, ktorý vám umožňuje všestranné každodenné použitie doma aj vonku. Pred prvým použitím produktu sa starostlivo zoznámte s jeho manipuláciou, funkcií a použitím, aby bola vylúčená akákoľvek možnosť porania. Dbajte najmä na dodržiavanie nasledujúcich pokynov:

- Všetci užívatelia a / alebo ich sprievodné osoby musia byť zaškolení odborným personálom ohľadom ovládanie produktu. Používatelia a / alebo ich sprievodnej osoby sú povinní si prečítať a poučiť sa najmä o zvyškových rizikách tohto produktu, v súvislosti s bezpečnostnými pokynmi uvedenými v tomto návode.
- Produkt bol prispôbený potrebám užívateľa. Dodatočné zmeny smie vykonávať len odborný personál.
- Odporúčame vykonať kontrolu prispôbenie produktu 1 x ročne, aby bolo možné zabezpečiť optimálne nastavenie produktu pre užívateľov. Najmä u užívateľov s meniacou sa anatómiou (napr. Telesné rozmery a hmotnosť) sa odporúča prispôbenie minimálne 1 x za pol roka.
- Váš konkrétny produkt sa môže líšiť od variantov, ktoré sú tu vyobrazené. Najmä potom nie je na vašom produkte namontované všetky voliteľné príslušenstvo popisované v návode.
- Výrobca si vyhradzuje právo na vykonávanie technických zmien u prevedenia popísaného v tomto návode.

the product is serviced by any other party except of authorised service centres, or when the identification label is not stucked on the stroller and also in the warranty sheet.

9. The warranty period cannot be interchanged with using period, that means for the lifetime period when correct use and maintenance of the product in accordance to the user guide are fulfilled .
10. The producer nor the importer is not liable for any loses and injuries caused by manipulation and usage of the product in conflict with the "User Guide" instructions.

The manufacturer, PATRON Bohemia a.s., reserves the right to make changes to the products.

NOTES:

SCHEMA - POPIS:

- | | |
|--|--------------------------------|
| 1. Vodítko a kloub vodítka | 16. výškové nastavení podnožky |
| 2. zádová opěrka | 17. hrazdička |
| 3. šroub nastavení výšky zádové opěrky | 18. pojistka hrazdičky |
| 4. uzávěr vodítka | 19. pojistka zámku sedačky |
| 5. pojistka uzávěru vodítka | 20. úchyt sedačky |
| 6. pojistka teleskopu zádové opěrky | 21. přední úchyt sedačky |
| 7. páčka teleskopu zádové opěrky | |
| 8. zámek sedačky | |
| 9. šroub nastavení hloubky sedačky | |
| 10. brzdy | |
| 11. zadní kolo | |
| 12. přední kolo | |
| 13. páčka teleskopu sedačky | |
| 14. podnožka | |
| 15. šroub nastavení pozice podnožky | |

SCHEMA DESCRIPTION

1. Handle and leash joint
2. backrest
3. backrest height adjusting bolt
4. handle folding release
5. handle folding release safety clip
6. backrest reclining safety pin
7. backrest reclining adjustment
8. seat locking lever
9. seat depth adjusting nut
10. parking brake
11. rear wheel
12. front wheel
13. front wheel direction lock
14. backrest reclining adjustment
15. footrest
16. footrest position adjusting bolt
17. footrest height adjustment
18. safety bar press-pin release
19. safety bar
20. seat lock safety pin
21. seat interface side holder
22. seat interface front lock

(Návod k obsluze - datum poslední revize: 10.05.2021)

ÚVOD:

Vážení zákazníci, před prvním použitím tohoto produktu si pozorně přečtěte tento dokument. Dodržujte veškeré bezpečnostní pokyny uvedené v tomto dokumentu. Budete-li mít nějaké dotazy ohledně produktu a jeho správného použití, obraťte se na odborný personál, či servisní středisko. Každou závažnou nežádoucí příhodu v souvislosti s produktem, či případné zhoršení zdravotního stavu uživatele v souvislosti s užíváním produktu, neprodleně ohlaste oficiálnímu distributorovi produktu ve vaší zemi, či výrobci produktu. Pro informace ohledně bezpečnosti a svolávacích akcích pro tento produkt, stejně jako produktové prohlášení o shodě, prosím kontaktujte oficiálního distributora produktu ve vaší zemi, či výrobci produktu. Tento dokument si pečlivě uschovejte pro následnou referenci.



.....VAROVÁNÍ, UPOZORNĚNÍ

- ① **UPOZORNĚNÍ! Jakékoli břemeno (brašna,) připevněné k rukojeti ovlivňuje stabilitu kočárku!**
- ② **Vždy použijte boční chrániče rámu řádně připevněné!**
- ③ **Doporučený tlak v pneumatikách: 180 kPa**
- ⑥ **Vždy používejte suchý zip zajištění stupačky řádně připevněný!**



.....maximální nosnost výrobku.

UPOZORNĚNÍ! Při nastavování kočárku držte prsty mimo pohybující se části mechanismu!

UPOZORNĚNÍ! Ponechat dítě bez dozoru může být nebezpečné

UPOZORNĚNÍ! Před použitím se přesvědčte, že všechna zajišťovací zařízení jsou zapojena

UPOZORNĚNÍ! Zkontrolujte, zda připevňovací zařízení sedačky je před použitím řádně připojeno

UPOZORNĚNÍ! Sedačka není vhodná pro dítě mladší 6 měsíců

VAROVÁNÍ! Tento výrobek není vhodný pro běhání a jízdu na bruslích

POZOR! Před použitím si pozorně přečtěte návod k použití a uschovejte jej pro pozdější nahlédnutí. Bezpečnost dítěte může být ohrožena, pokud nebudete postupovat podle návodu

PRODUKT – POPIS, FUNKCE, IDENTIFIKACE:

Obdrželi jste výrobek, který vám umožňuje všestranné každodenní použití doma i venku. Před prvním použitím produktu se pečlivě seznamte s jeho manipulací, funkcí a použitím, aby byla vyloučena jakákoli možnost poranění. Dbejte zejména na dodržování následujících pokynů:

- Všichni uživatelé a/nebo jejich doprovodné osoby musí být zaškoleni odborným personálem ohledně ovládní produktu. Uživatelé a/nebo jejich doprovodné osoby jsou povinni si přečíst a poučit se zejména o zbytkových rizicích tohoto produktu, v souvislosti s bezpečnostními pokyny uvedenými v tomto návodu.
- Produkt byl přizpůsoben potřebám uživatele. Dodatečné změny smí provádět pouze odborný personál.
- Doporučujeme provést kontrolu přizpůsobení produktu 1 x ročně, aby bylo možné zajistit optimální nastavení produktu pro uživatele. Zejména u uživatelů s měnící se anatomii (např. tělesné rozměry a hmotnost) je doporučeno přizpůsobení minimálně 1 x za půl roku.

znečištění, opotřebení, či poškození potahu, plastových dílů, opotřebení brzd, opotřebení dezénu či defektu pneumatik . Uplatnění práva z vady také pozbývá platnosti, byly-li závady způsobeny nedovoleným přetěžováním, nehodou, mechanickým poškozením, násilím nebo neodborným zásahem do výrobku či neodborným zacházením s ním.

10. Technické řešení podvozku nezaručuje ideální vedení stopy, proto tato skutečnost nemůže být předmětem reklamace.
11. Dobu uplatnění práva z vady nelze zaměňovat s uživatelskou dobou, tj. dobou po kterou při správném používání a správném ošetřování, včetně údržby, lze zboží vzhledem ke svým vlastnostem, danému účelu a rozdílnosti v konstrukci řádně užívat.

Výrobce, společnosti PATRON Bohemia a.s., si vyhrazuje právo na změnu na výrobcích.

POZNÁMKY:

ÚDRŽBA, LIKVIDACE PRODUKTU:

Váš kočárek Vám při dodržování níže uvedených instrukcí bude sloužit dlouho, aniž byste museli využít služeb Vašeho servisního střediska.

- Pravidelně kontrolujte uzávěr vodítka, zajištění hrazdičky, úchyty na kočárku, spoje, podnožku a pojistku vodítka, aby byly stále v dobrém a funkčním stavu. Brzdy, kola a potah kočárku jsou opotřebitelné části kočárku, proto by měly být vyměněny vždy, když to bude nutné.
- Kočárek by měl být každých 12 měsíců zkontrolován odborníkem.
- Doporučujeme po 24 měsících navštívit servisní oddělení.
- Kočárek může být opravován jen zaměstnanci servisních středisek výrobce nebo odborníky touto firmou pověřenými.
- K opravám mohou být použity jen originální náhradní díly dodávané výrobcem.
- Rotační a posuvné části kočárku pravidelně ošetřujte mazadly ve spreji (např. WD 40), minimálně každých šest měsíců. Nikdy nepoužívejte olej nebo vazelinu. Dbejte na to, abyste nepoužili příliš velké množství mazadla (způsobilo by to zanášení špíny mezi otáčející se částí). Přebytečné mazadlo otřete.
- Skládání a rozkládání kočárku by vždy mělo být velmi lehké. Pokud tomu tak není, přečtěte si znovu příslušné odstavce v návodu k použití.
- Kontrolujte pravidelně tlak v pneumatikách.
- Podvozek, plasty a kolečka je možné omývat teplou vodou s přidavkem běžného saponátu.
- Potah kočárku lze čistit hadrem namočeným v teplé vodě, případně vyprat v ruce (max. 40°C)
- Nikdy kočárek nečistěte abrazivními čistícími prostředky, prostředky na bázi amoniaku, bělidly a lihovými čistidly.
- V případě, že byl kočárek vystaven vlhkému prostředí, utřete ho savým materiálem a nechte v teple uschnout.
- Kočárek ukládejte na suchém a bezprašném místě při doporučené teplotě 5-20°C.
- Pravidelně kontrolujte a dotahujte šroubové spoje.
- Jsou-li použita ovládací lanka (brzdy, teleskopy, naklápění), pravidelně je kontrolujte a v případě potřeby seřídte a promažte.

Životnost produktu: Předpokládaná provozní životnost je 5 let. Předpokládaná provozní životnost byla použita jako základ při vývoji produktu a definování požadavků týkajících se použití produktu k danému účelu. Tato data zahrnují také požadavky na údržbu, pro zajištění požadované účinnosti a bezpečnosti produktu.

Pokyny pro likvidaci: Za účelem likvidace je nutné produkt likvidovat v souladu s předpisy pro ochranu životního prostředí, platnými v dané zemi použití produktu.

PODMÍNKY UŽITÍ:

1. Kupující je oprávněn uplatnit právo z vady, která se vyskytne u spotřebního zboží v době 24 měsíců od převzetí.
2. Výrobek musí být používán výhradně k účelu, ke kterému je určen a uživatel se musí řídit pokyny uvedenými v návodu k použití. Za škody vzniklé na výrobku z důvodu neodborného zacházení v rozporu s „Návodem k použití“ výrobce neodpovídá.
3. Výrobek musí být řádně užíván, ošetřován, udržován a skladován dle pokynů uvedených v návodu k použití.
4. Každou vzniklou závadu je nutné ihned po jejím zjištění opravit. Za závady vzniklé následkem dalšího používání výrobku, aniž by původní závada byla opravena, nese plnou zodpovědnost uživatel.
5. Reklamacce musí být uplatněna u prodejce (včetně prodejců přes internet, či alternativních), kde byl výrobek zakoupen. Uplatnění reklamacce se řídí příslušnými paragrafy Občanského a jiných zákonů ČR.
6. Při uplatnění reklamacce musí uživatel nezpochybnitelně prokázat, že u prodejce zboží/výrobek zakoupil. Pro urychlení vyřízení reklamacce se uživateli doporučuje předložit doklad o koupi výrobku a vyplněný poslední list návodu podmínky užití s výrobním číslem reklamovaného zboží.
7. Výrobce opatřuje výrobek identifikačním štítkem. Jsou-li údaje na identifikačním štítku nečitelné, či chybí-li úplně, může být uživatel vyzván, aby totožnost reklamovaného zboží doložil.
8. Reklamační řízení lze zahájit, jestliže je reklamované zboží zasláno pečlivě zabalené a zajištěné proti poškození. Velmi vhodné je zboží zaslat v originálním obalu. Za poškození reklamovaného zboží vzniklého při jeho zaslání výrobce nezodpovídá. Majitel je povinen předložit reklamované zboží čisté a hygienicky nezávadné, dle obecných hygienických zásad. Majitel nemůže při reklamaci požadovat, aby v průběhu reklamačního řízení za něj byla provedena základní údržba nebo čištění výrobku.
9. Uplatnění práva z vady se nevztahuje na opotřebení věci způsobené jejím obvyklým používáním, zejména na

- Váš konkrétní produkt se může lišit od variant, které jsou zde vyobrazeny. Zejména pak není na vašem produktu namontováno veškeré volitelné příslušenství popisované v návodu.
- Výrobce si vyhrazuje právo na provádění technických změn u provedení popsaného v tomto návodu.

Funkce produktu:

Tento produkt je klasifikován jako neinvazivní terapeutický prostředek třídy 1. Produkt je určen ke krátkodobému i dlouhodobému použití. Produkt je ovládán doprovodnou osobou a slouží k přepravě dětí za pomoci jiné osoby.

Produkt je určen pro použití na pevném podkladu v interiérech a exteriérech. Produkt slouží dětem s dočasným nebo trvalým omezením schopnosti chůze, neschopným chůze, či prostého stoje. Produkt je vhodný pro uživatele, jejichž anatomie (např. tělesné rozměry a hmotnost) připouští použití tohoto produktu k danému účelu a jejichž kůže je neporušená. Produkt je nutné používat výhradně ve spojení s příslušenstvím, které je uvedeno v objednacím listu.

Za kombinace se zdravotnickými prostředky a/nebo příslušenstvím od jiných výrobců, nepřebírá výrobce tohoto produktu žádnou odpovědnost. Povoleny jsou pouze produktové kombinace hodnocené z hlediska jejich účinnosti a bezpečnosti, které jsou výhradně povoleny kombinovat na základě dohody o kombinaci.





Indikace: lehká až závažná nebo úplná omezení pohybu uživatele.

Kontraindikace: Absolutní kontraindikace nejsou známy. Relativní kontraindikace - chybějící fyzické nebo psychologické předpoklady, výrazné plošné porušení povrchové tkáně (např. kůže, aj.).

Průvodní jevy: Při používání produktu se mohou výjimečně vyskytnout následující průvodní jevy - bolest krčního svalstva, svalů a kloubů, poruchy prokrvení, riziko dekubitů. V případě těchto průvodních jevů, či potíží kontaktujte ošetřujícího lékaře nebo terapeuta.

Identifikace produktu:

Informace na typovém štítku:

	Globální číslo obch. položky. Dle normy GS1 = UDI-DI – Jedinečná identifikace prostředku - identifikátor prostředku.
	Sériové číslo. Dle normy GS1 = UDI-PI – Jedinečná identifikace prostředku – identifikátor výroby.
	Kód výrobce pro variantu produktu
Mod.:	Variantu produktu / text
Spec.:	Variantu produktu / barevné provedení
	Informace o výrobcí/adresa

Datum výroby: Sériové číslo (první 3 číslice) obsahují datum výroby. („253“ = 253. měsíc od 01.01.2000 = leden 2021)

BEZPEČNOST A OCHRANA:

- Doprovodná osoba musí být obeznámena s instrukcemi uvedenými v návodu
- Kočárek může být používán jen na doporučení lékaře
- Před jízdou zkontrolujte zda dítě sedí pohodlně a zda se jeho oděv ani jiná textilie nemůže dostat do kontaktu s koly kočárku
- Kočárek nesmí být používán jako sedačka pro jízdu ve vozidle nebo autobuse
- Zajistěte, aby se dítě při nastavování kočárku nedostalo do styku s pohyblivými se částmi a nemohlo se zranit
- Při nastavování náklonu zádové opěrky musí obsluha jednat tak, aby nedošlo k náhlému sklopení opěrky
- Směr jízdy sedačky může být změněn jen v případě, že dítě nesedí v kočárku
- Nedovolte dítěti, aby nastupovalo a vystupovalo z kočárku bez pomoci doprovodné osoby
- Při nasedání a vystupování z kočárku musí být kočárek vždy zabrzděn
- Vždy se ujistěte, že jsou všechny fixační doplňky, bezpečnostní hrazdička a ostatní příslušenství správně připevněny a zajištěny
- Nestoupejte na stupačku
- Kočárek musí být zabrzděn vždy, když není v pohybu
- Překonávání obrubníku nejdříve vyzkoušejte s prázdným kočárkem

- Doprovodná osoba si musí být vědoma nebezpečí požáru; v budovách se informujte o umístění nouzového východu a o evakuačním plánu budovy
- Nenechte dítě, aby si hrálo s kočárkem, mohlo by dojít ke zranění
- Kočárek není určen k jízdě na schodišti.
- Jízdě s kočárkem vždy věnujte dostatečnou pozornost, abyste se vyhnuli nehodám, které by se mohly při případné nepozornosti přihodit
- Nepřetěžujte kočárek, při přetížení lůžka, sedačky, tašky, nebo koše by mohlo dojít k narušení stability kočárku
- Při manipulaci s kočárkem dávejte pozor, abyste nezranili sebe nebo dítě
- Pro překonání překážek použijte nájezdovou rampu nebo výtah, když je to možné
- Kočárek musí přenášet vždy nejméně dvě osoby
- Kočárek nikdy nepřenášíte, pokud si vy a váš pomocník nejste jisti, že je i s dítětem bezpečně přenesete
- Při jízdě s kočárkem po ulici dbejte pravidel bezpečnosti silničního provozu
- Neužívejte kočárek k jiným účelům, než ke kterým je určen
- Neužívejte kočárek pro větší počet dětí, než pro jaký byl konstruován
- Nepoužívejte žádné příslušenství, které není dodáváno či schváleno výrobcem
- Při častém skládání a rozkládání kočárku je třeba zvlášť pečlivě dodržovat návod k použití, předejete tím nestabilitě stopy kočárku. Při nedodržování návodu na skládání kočárku může dojít k zakřivení konstrukce
- V případě zjevné závady bránící bezpečnému používání výrobku (např. poškození podvozku, odpadlá část či jiné opticky viditelné vady, praskliny apod.) je třeba neprodleně přestat užívat výrobek a kontaktovat prodejce.
- Firma PATRON Bohemia a.s. nenese zodpovědnost za škody způsobené používáním jiných doplňků než dodávaných touto firmou
- Firma PATRON Bohemia a.s. nenese zodpovědnost za škody a nehody způsobené nesprávnou manipulací s kočárkem

PŘÍPRAVA K POUŽITÍ, POUŽITÍ:

Rozložení podvozku

Položte složený podvozek na kola, postavte se mezi zadní kola kočárku, uchopte vodítko a zatáhněte směrem nahoru dokud uzávěr vodítka nezaskočí proti trubce rámu podvozku. Tlakem na vodítko směrem nahoru se ujistíte, že jsou oba uzávěry vodítka zajištěny. (Podvozek už nejde složit.)

Nasazení sedačky na podvozek ve směru jízdy

uchopte sedačku, nasaďte jí na úchyt sedačky a oba zámky zajištěte pootočením páčky zámku až uslyšíte jejich zacvaknutí. Ujistíte se, že sedačka je pevně zajištěná nadzvednutím sedačky. (obr. 1).

Nasazení sedačky na podvozek proti směru jízdy

nasazení sedačky probíhá stejným způsobem jako nasazení sedačky na podvozek ve směru jízdy, jen sedačku obraťte.

Nastavení náklonu sedačky

povolte páčku teleskopu pro nastavení náklonu sedačky, nastavte sedačku do požadované polohy a páčku zajištěte.

Nastavení hloubky sedačky a podnožky

povolte obě matice pro nastavení hloubky sedačky a šrouby pro nastavení hloubky podnožky, nastavte hloubku sedačky i podnožky a utáhněte matice a šrouby.

Výškové nastavení zádové opěrky

uvolněte šrouby rámečku zádové opěrky a matice zádové opěrky, nastavte výšku opěrky zajištěte ji šrouby a maticemi.

Úhlové nastavení zádové opěrky

uvolněte páčku zádového teleskopu, nastavte opěrku do požadované polohy a zajištěte páčku.

Polohování úhlu vodítka

Stiskněte po obou stranách kloub vodítka, nastavte vodítko do požadované polohy a uvolněte.

Výškové nastavení stupačky

uvolněte šrouby zadní části stupačky, nastavte požadovanou výšku a utáhněte šrouby.

Úhlové nastavení podnožky

stlačte tlačítka postranních kloubů podnožky, nastavte podnožku do požadované polohy a uvolněte tlačítka.

Zabrzďení kočárku

pro zabrzďení kočárku sešlápněte zadní spojenou brzdou. K odbrzďení kočárku brzdou nadzvedněte. (Viz. obr. 2)

Hrazdička

hrazdičku zasuňte do trubek na bočních částech sedačky. Hrazdička je zajištěna pérovou pojistkou. Stiskněte pérovou pojistku a tahem směrem nahoru vyndejte hrazdičku.

Nasedání do kočárku

ujistíte se, že je kočárek zabrzďený; k ulehčení nasedání je vhodné posunout podnožku co nejvíce pod kočárek a sklopit stupačku (obr. 3); pokud je to nutné, opřete kočárek vodítkem o zeď nebo požádejte důvěryhodnou osobu, aby kočárek podržela; opatrně posaďte dítě do kočárku, zapněte všechny fixační doplňky, kterými je Váš kočárek vybaven, připevněte hrazdičku a upravte podnožku do potřebné polohy. Dbejte na to, aby dítě vždy sedělo pohodlně.

Vysedání z kočárku

ujistíte se, že je kočárek zabrzďený; k ulehčení vysedání je vhodné posunout podnožku co nejvíce pod kočárek a sklopit stupačku; pokud je to nutné, opřete kočárek vodítkem o zeď nebo požádejte důvěryhodnou osobu, aby kočárek podržela; rozepněte všechny fixační doplňky, kterými je Váš kočárek vybaven, sundejte hrazdičku a opatrně vyndejte dítě z kočárku.

Překonání obrubníku a nízkých překážek

dolů - pevně držte vodítko kočárku, najed'te předními koly kolmo na hranu obrubníku, malým tlakem na vodítko směrem dolů trochu nadlehčete přední kola kočárku a opatrně jimi sjeďte z obrubníku. Malým tlakem na vodítko směrem nahoru trochu nadlehčete zadní kola kočárku a opatrně jimi sjeďte z obrubníku.

nahoru - najed'te předními koly kolmo k obrubníku, tlakem na vodítko směrem dolů a našlápnutím zadního rámu podvozku směrem dolů zvedněte přední kola kočárku do potřebné výšky a najed'te jimi na chodník. Tlakem na vodítko směrem nahoru zvedněte zadní kola kočárku do potřebné výšky a najed'te jimi na chodník

Přenášení kočárku

- použijte nájezdovou rampu nebo výtah vždy, když je to možné

- pokud musíte překonat schody, musí kočárek přenášet nejméně dvě osoby

- nikdy nepřenášíte kočárek pokud si Vy a Váš pomocník nejste jisti, že kočárek i s dítětem bezpečně přenesete

- pokud při přenášení kočárku pocítíte únavu, odpočíte si

- při přenášení kočárku nesmí mít dítě ruce vně kočárku

- nikdy kočárek nezvedejte za hrazdičku ani za podnožku

ze schodů

pevně uchopte vodítko kočárku, najed'te předními koly kočárku kolmo k horní hraně schodiště, Váš pomocník pevně uchopí podvozek kočárku nad předními koly, kočárek spolu nadzvedněte, opatrně sneste kočárek dolů a postavte ho na všechna čtyři kola. (obr. 4)

do schodů

pevně uchopte vodítko kočárku, najed'te zadními koly kočárku kolmo ke spodnímu schodu schodiště, Váš pomocník uchopí podvozek kočárku pod uzávěry vodítka, kočárek spolu nadzvedněte, opatrně vyneste kočárek nahoru a postavte ho na všechna čtyři kola.(obr. 5)

Skládání kočárku

nastavte podnožku do vodorovné polohy, sklopte stupačku, vyndejte hrazdičku, sklopte zádovou opěrku co nejvíce k sedáku (pozn. doporučujeme sundat fixační doplňky, aby bylo docíleno co nejmenších rozměrů složeného kočárku), zatáhněte za uzávěry vodítka směrem nahoru, odklopte pojistku uzávěru vodítka a sklopte vodítko k předním kolům kočárku. (obr. 6, 7)

Odejmutí sedačky z podvozku

uvolněte postranní šrouby rámečku sedáku a sundejte sedačku z podvozku.

Skládání podvozku

odejměte sedačku z podvozku, zatáhněte za uzávěry vodítka směrem nahoru, odklopte pojistku uzávěru vodítka a sklopte vodítko k předním kolům kočárku. (obr. 6, 7)

Potah

Potah kočárku je odnímatelný.

potah zádové opěrky

převlékněte přes její horní okraj a spodní část potahu provlékněte otvorem mezi zádovou opěrkou a sedátkem a zajištěte ho suchými zipy na zadní části zádové opěrky.

potah sedátka a bočnic

navlékněte na bočnice a upevněte pomocí suchých zipů.